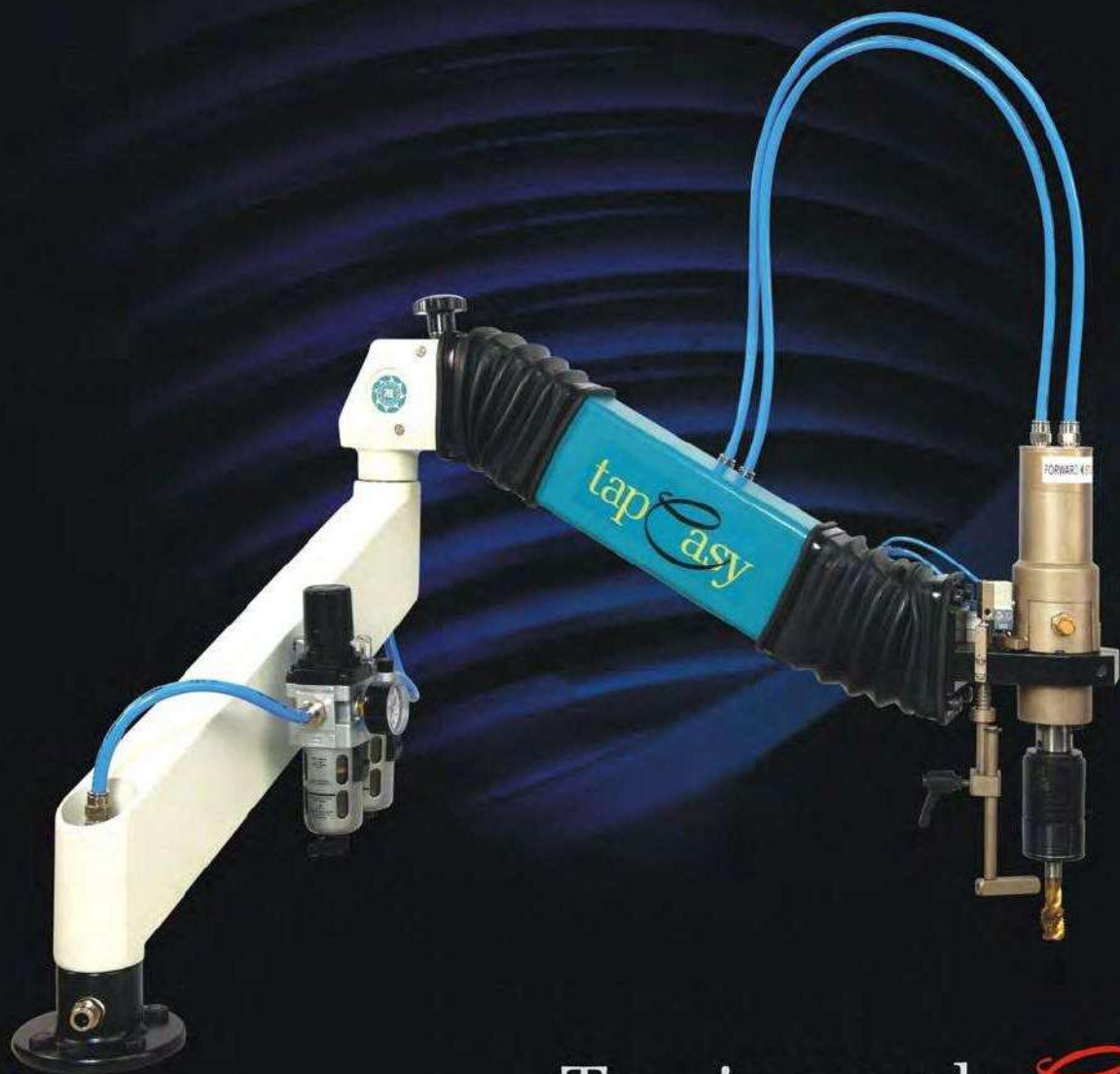


tapEasy



Tapping made Easy

# tapEasy

'TapEasy' is a unique tapping machine with an articulated arm. This unique feature helps in tapping a hole anywhere within the prescribed area.

This machine is having a range to tap holes up to 3/4" or M 20 in steel / Cast Iron and 1" or M 22 in aluminium.

'TapEasy' consists of a specially designed arm carrying pneumatic reversible tapping motor which will tap through holes as well as blind holes.

'TapEasy' is equipped with inbuilt depth control mechanism which avoid and eliminate tap breakage.

'TapEasy' is available in three models with various arm - lengths to suit to your requirements.

'TapEasy' is a versatile machine and is used for :

- Tapping
- Re-tapping
- Chamfering
- Reaming
- Countersinking

### Special Features :

Optional universal tapping head is available on demand which will help for horizontal as well as angular tapping.



ALFATECH ENGINEERS PVT. LTD.



**1. Tension adjusting knob**  
This is a customer friendly feature incorporated to assist the operator to adjust the force he has to apply while locating the tapping head in line with the hole.



**2. Easy forward/reverse grip**  
This facilitates operator for easy forward / reverse operation of motor with simple 'twist'.

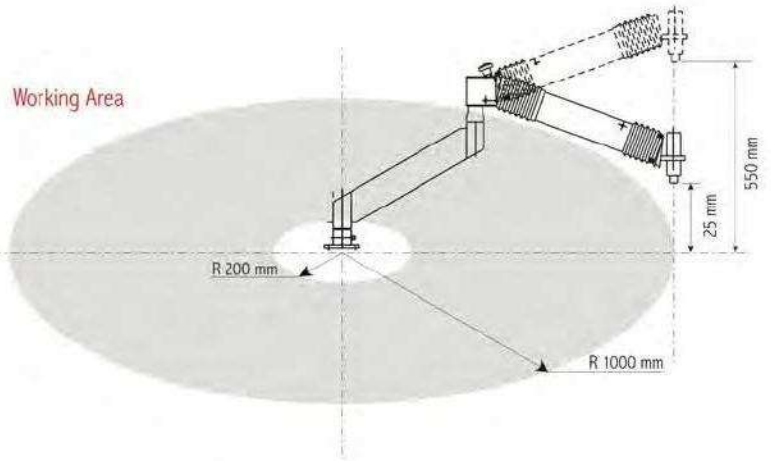


**3. Quick change tapchuck**  
This helps in holding various tap holders firmly and saves time in changeover.



**4. Depth control mechanism**  
This mechanism has been categorically incorporated to tap blind holes as well as to tap holes at preset depth. This special feature helps in avoiding tap breakage as well as thread damage.

Model	Tapping Capacity max.		No load speed	Air pressure	Air reqd	Torque	Reach	Weight
	Steel	Aluminium	RPM	in psi / kg	in CFM	in Nm		
TapEasy 608	M 8	M 10	650	90 / 6.3	28	20	1000 mm	23 kg
TapEasy 612	M 12	M 14	400	90 / 6.3	28	30	1000 mm	23 kg
TapEasy 620	M 20	M 22	200	90 / 6.3	28	65	1000 mm	24 kg



Working area of 1000mm radius (Standard) can be increased up to 2200mm on demand.

### Optional Accessories



**FRL :** (Filter/ Regulator/ Lubricator)  
This helps in removing moisture from the air as well as maintains desired air pressure with the help of the regulator and carries small droplets of oil so as to lubricate the air motor.



**Magnetic Base :**  
200 x 125 x 125 (LWH)  
for quickest mounting of 'TapEasy' on larger work.



**Table :**  
700 x 900 x 850 (LWH)  
provided with revolving castors.



**Trolley :**  
700 x 700 x 800 (LWH)  
provided with revolving castors.



**Column :**  
380 x 380 x 850 (LWH)  
to position the 'TapEasy' near the machining centre or CNC milling machine.

Specifications are subject to change without prior notice. \* Accessories shown are not part of standard equipment.



Manufacturer

**ALFATECH ENGINEERS PVT. LTD.**

Opp. Dhawan's Nursery, Rambaug Lane, Upvan,  
Pokharan Road No. 1, Thane - 400 606.  
Maharashtra (INDIA)

Phone No. : + 91 9890205159

Tele No. : + 91 22-25888613

Email : amitalfatechengineers@gmail.com

Web : www.alfatechengineers.com

: www.tapeasy.net

Authorised Dealer